

---

***ST-12***

———— CONTENTS ————

FIG.1 CASSETTE .....	2
FIG.2 DECK UNIT .....	4
• INDEX.....	6

FIG. 1 CASSETTE

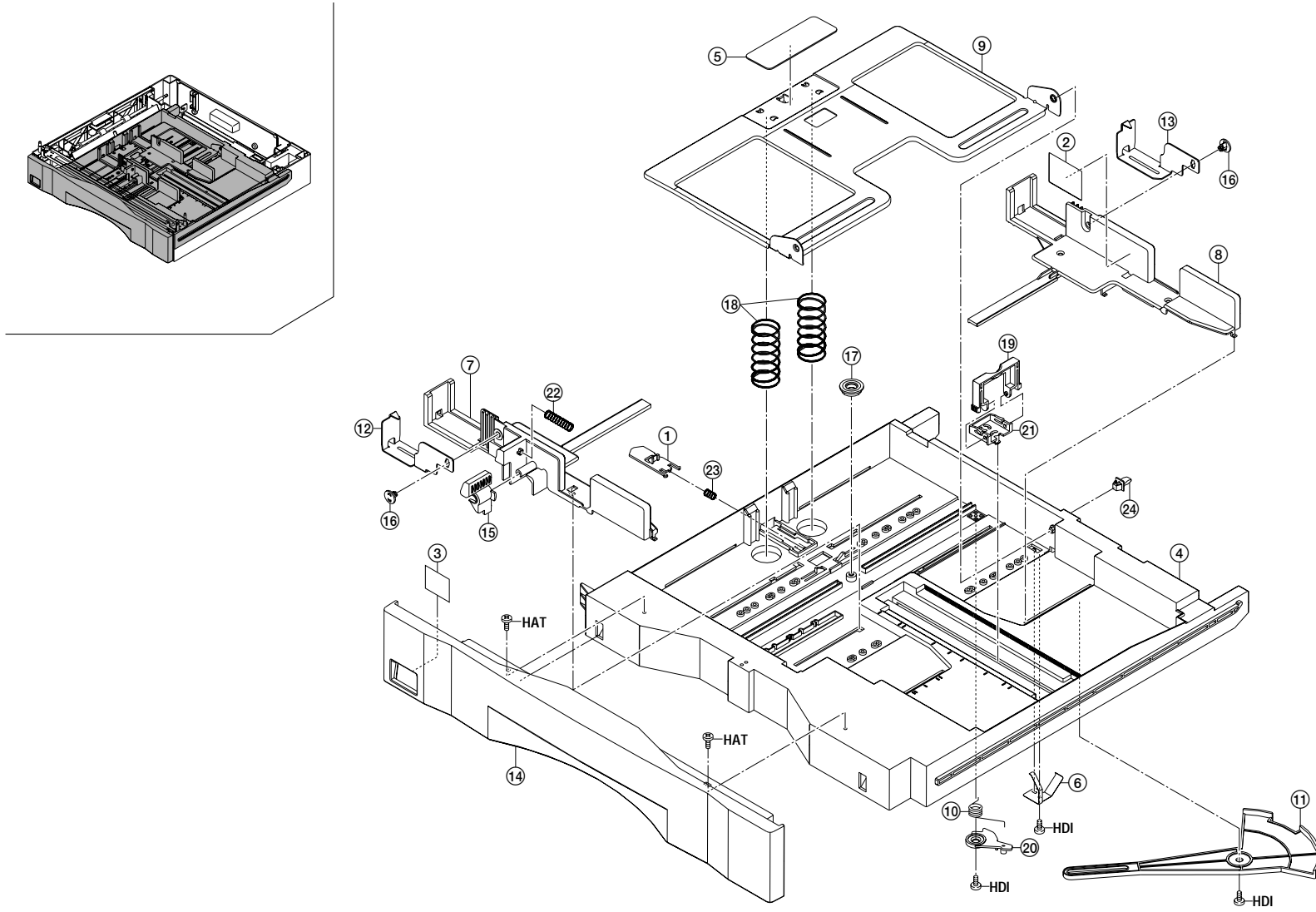


FIG. 1 CASSETTE

3A5

SP	Ref. No.	Part. No.	Description	Quantity		
				120V	230V	240V
●	1	19507050	LEVER,CASSETTE BASE RELEASE	1	1	1
	2	2AR05200	LABEL,PAPER UPPER LIMIT	1	1	1
●	3	2AV05090	SHEET,CASSETTE SIZE INDICATION(METRIC)		1	1
	3	2AV05100	SHEET,CASSETTE SIZE INDICATION(INCH)	1		
●	4	2AV07010	CASSETTE,PAPER FEED	1	1	1
	5	2AV07030	SHEET,CASSETTE	1	1	1
●	6	2AV07040	GROUND PLATE,CASSETTE	1	1	1
	7	2AV07050	FRONT CURSOR,CASSETTE	1	1	1
●	8	2AV07060	REAR CURSOR,CASSETTE	1	1	1
	9	2AV07070	WORK PLATE,CASSETTE	1	1	1
●	10	2AV07080	SPRING,SIDE SIZE DETECTION	1	1	1
	11	2AV07090	TURN PLATE,TRAILING EDGE SIZE DETECTION	1	1	1
●	12	2AV07190	FRONT CLAW A,CASSETTE	1	1	1
	13	2AV07200	REAR CLAW A,CASSETTE	1	1	1
●	14	3A507010	COVER,CASSETTE	1	1	1
●	15	34907060	LEVER,CURSOR RETAINING	1	1	1
●	16	34907070	PIN,CLAW CASSETTE	2	2	2
	17	34907141	GEAR 18,CASSETTE	1	1	1
●	18	34907380	SPRING,CASSETTE	2	2	2
	19	35907091	CURSOR,PAPER TRAILING EDGE	1	1	1
●	20	35907132	PROJECTION,SIDE REGISTRATION DETECTION	1	1	1
●	21	35907171	MOUNT BASE,TRAILING EDGE CURSOR	1	1	1
●	22	68802070	SPRING A,LIFT UP	1	1	1
	23	76508130	SPRING BELT GUIDE ROLLER	1	1	1
●	24	77906210	CASSETTE STOPPER	1	1	1

- Parts with "●" are component parts or sub-assemblies of the assembly appearing immediately above them.
- Parts with "●" indicates the Service parts.

FIG. 2 DECK UNIT

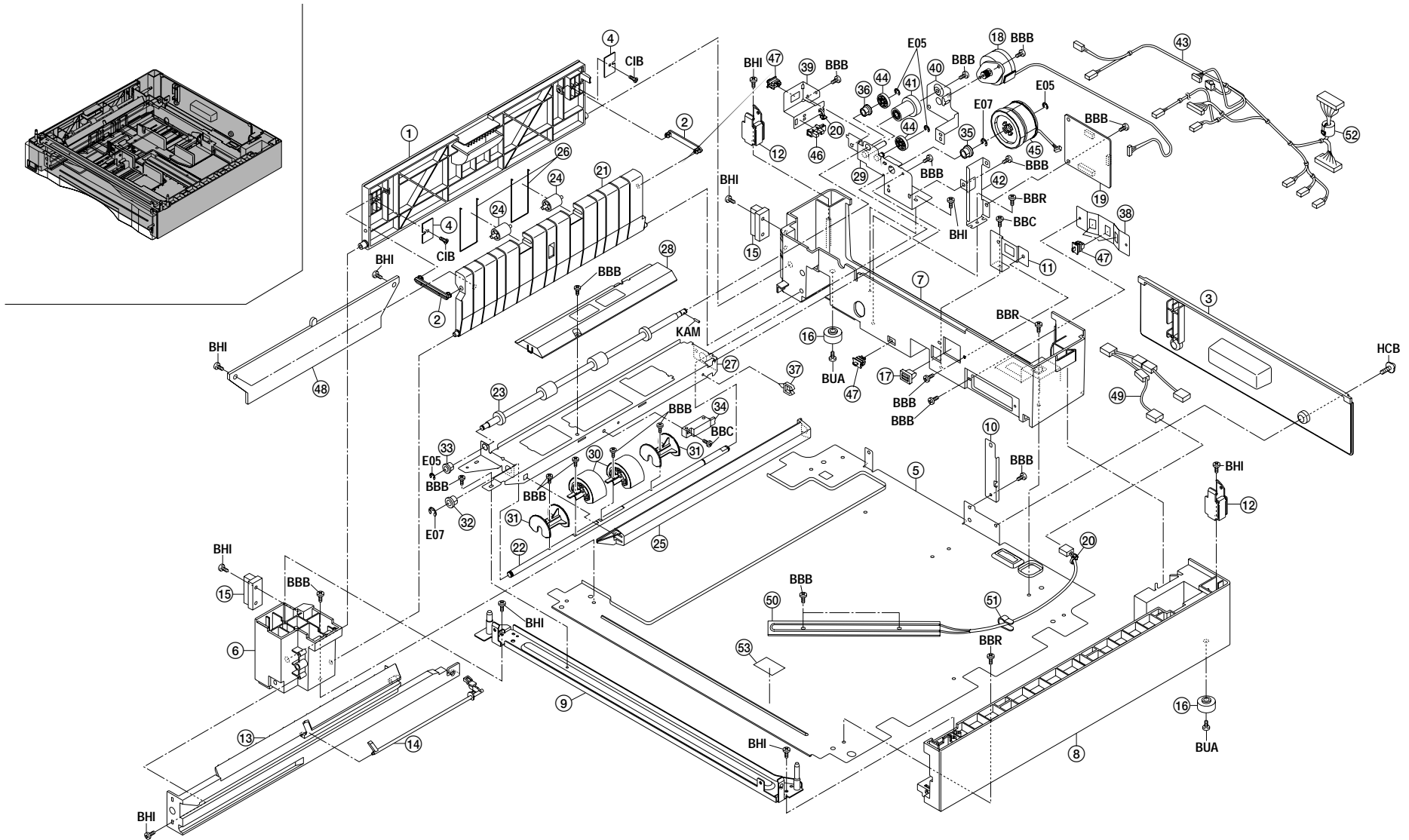


FIG. 2 DECK UNIT

3A5

SP	Ref. No.	Part. No.	Description	Quantity		
				120V	230V	240V
●	1	3A504010	COVER,RELEASE	1	1	1
	2	3A504020	COUPLER,RELEASE	2	2	2
●	3	3A504030	REAR COVER	1	1	1
	4	49628105	RECEIVER,MAGNET	2	2	2
	5	3A502010	BOTTOM BASE	1	1	1
	6	3A502020	LEFT BASE	1	1	1
	7	3A502030	REAR BASE	1	1	1
	8	3A502040	RIGHT BASE	1	1	1
	9	3A502060	FRONT JUNCTION PLATE,DESK	1	1	1
	10	3A502070	REAR JUNCTION PLATE,DESK	1	1	1
	11	3A502090	MOUNT,CATCH	1	1	1
	12	3A502100	REAR JUNCTION PLATE,DESK SIDE	2	2	2
	13	3A506010	LEFT RAIL,CASSETTE	1	1	1
●	14	3A506030	ACTUATOR,CONVEYING	1	1	1
	15	62207620	MAGNET,FEED SHIFT	2	2	2
	16	66260030	BASE RUBBER,ORTER	2	2	2
	17	77906200	CASSETTE CATCHER	1	1	1
●	18	36027020	MOTOR,CASSETTE	1	1	1
●	19	36093040	PARTS MOTOR DRIVE PCB(SP)	1	1	1
	20	M2607010	BINDING BAND,PLT1M	2	2	2
	21	3A506020	GUIDE,CONVEYING	1	1	1
	22	3A506050	SHAFT,PAPER FEED	1	1	1
●	23	3A506060	ROLLER,CONVEYING	1	1	1
	24	3A506070	PULLEY,CONVEYING	2	2	2
	25	3A506080	COVER,EMPTY SWITCH	1	1	1
	26	3A506090	SPRING,PRESSING	2	2	2
	27	3A506100	FRAME,PAPER FEED	1	1	1
	28	3A506110	COVER,PAPER FEED	1	1	1
	29	3A522010	MOUNT,DRIVE	1	1	1
●	30	2AV06010	PULLEY,PAPER FEED	2	2	2
	31	2AV06030	COLLAR,PAPER FEED	2	2	2
	32	49028112	BUSHING 8,LOWER REG.ROLLER	1	1	1
	33	29806560	BUSHING 6	1	1	1
●	34	65027360	SWITCH,EMPTY	1	1	1
	35	67322230	BUSHING 8	1	1	1
	36	73210450	BUSH, 6	1	1	1
	37	M2105710	MINIATURE CLAMP,UAMS-05-0	1	1	1
	38	3A502080	MOUNT,SIZE DETECTION SWITCH	1	1	1
	39	3A506040	MOUNT,RELEASE SWITCH	1	1	1
	40	3A522020	MOUNT,MOTOR	1	1	1

SP	Ref. No.	Part. No.	Description	Quantity		
				120V	230V	240V
	41	3A522050	GEAR 16/52,IDLE	1	1	1
	42	3A526020	LEFT MOUNT,PCB	1	1	1
	43	3A527010	WIRE,CASSETTE	1	1	1
	44	18506140	LOWER GEAR 18,REGISTRATION	2	2	2
	45	2AV27330	CLUTCH,PAPER FEED	1	1	1
●	46	35327400	SWITCH,FEED	1	1	1
●	47	35927420	SWITCH,SIZE	5	5	5
	48	3A506120	REINFORCEMENT,GUIDE	1	1	1
	49	3A568010	WIRE,HEATER	1	1	1
●	50	33960020	HEATER,CASSETTE (240)		1	1
●	50	34860030	HEATER,CASSETTE(120)	1		
	51	M2105030	NYLON CLAMP 5N,NK-5N	1	1	1
	52	2AR27750	CORE 11-25X14	1	1	1
	53	20305130	LABEL L,HIGH TEMPERATURE CAUTION(EXP)	1	1	1

- Parts with "●" are component parts or sub-assemblies of the assembly appearing immediately above them.
- Parts with "●" indicates the Service parts.

INDEX

3A5

SP	Part. No.	Description	Quantity			Fig. No.
			120V	230V	240V	
●	18506140	LOWER GEAR 18,REGISTRATION	2	2	2	2
	19507050	LEVER,CASSETTE BASE RELEASE	1	1	1	1
	2AR05200	LABEL,PAPER UPPER LIMIT	1	1	1	1
	2AR27750	CORE 11-25X14	1	1	1	2
	2AV05090	SHEET,CASSETTE SIZE INDICATION(METRIC)		1	1	1
	2AV05100	SHEET,CASSETTE SIZE INDICATION(INCH)	1			1
●	2AV06010	PULLEY,PAPER FEED	2	2	2	2
	2AV06030	COLLAR,PAPER FEED	2	2	2	2
	2AV07010	CASSETTE,PAPER FEED	1	1	1	1
●	2AV07030	SHEET,CASSETTE	1	1	1	1
	2AV07040	GROUND PLATE,CASSETTE	1	1	1	1
	2AV07050	FRONT CURSOR,CASSETTE	1	1	1	1
	2AV07060	REAR CURSOR,CASSETTE	1	1	1	1
	2AV07070	WORK PLATE,CASSETTE	1	1	1	1
	2AV07080	SPRING,SIDE SIZE DETECTION	1	1	1	1
	2AV07090	TURN PLATE,TRAILING EDGE SIZE DETECTION	1	1	1	1
	2AV07190	FRONT CLAW A,CASSETTE	1	1	1	1
	2AV07200	REAR CLAW A,CASSETTE	1	1	1	1
	2AV27330	CLUTCH,PAPER FEED	1	1	1	2
	20305130	LABEL L,HIGH TEMPERATURE CAUTION(EXP)	1	1	1	2
	29806560	BUSHING 6	1	1	1	2
	3A502010	BOTTOM BASE	1	1	1	2
	3A502020	LEFT BASE	1	1	1	2
	3A502030	REAR BASE	1	1	1	2
	3A502040	RIGHT BASE	1	1	1	2
	3A502060	FRONT JUNCTION PLATE,DESK	1	1	1	2
	3A502070	REAR JUNCTION PLATE,DESK	1	1	1	2
	3A502080	MOUNT,SIZE DETECTION SWITCH	1	1	1	2
	3A502090	MOUNT,CATCH	1	1	1	2
●	3A502100	REAR JUNCTION PLATE,DESK SIDE	2	2	2	2
●	3A504010	COVER,RELEASE	1	1	1	2
	3A504020	COUPLER,RELEASE	2	2	2	2
●	3A504030	REAR COVER	1	1	1	2
	3A506010	LEFT RAIL,CASSETTE	1	1	1	2
	3A506020	GUIDE,CONVEYING	1	1	1	2
●	3A506030	ACTUATOR,CONVEYING	1	1	1	2
	3A506040	MOUNT,RELEASE SWITCH	1	1	1	2
	3A506050	SHAFT,PAPER FEED	1	1	1	2
●	3A506060	ROLLER,CONVEYING	1	1	1	2
	3A506070	PULLEY,CONVEYING	2	2	2	2

SP	Part. No.	Description	Quantity			Fig. No.
			120V	230V	240V	
	3A506080	COVER,EMPTY SWITCH	1	1	1	2
	3A506090	SPRING,PRESSING	2	2	2	2
	3A506100	FRAME,PAPER FEED	1	1	1	2
	3A506110	COVER,PAPER FEED	1	1	1	2
	3A506120	REINFORCEMENT,GUIDE	1	1	1	2
●	3A507010	COVER,CASSETTE	1	1	1	1
	3A522010	MOUNT,DRIVE	1	1	1	2
	3A522020	MOUNT,MOTOR	1	1	1	2
	3A522050	GEAR 16/52,IDLE	1	1	1	2
	3A526020	LEFT MOUNT,PCB	1	1	1	2
	3A527010	WIRE,CASSETTE	1	1	1	2
	3A568010	WIRE,HEATER	1	1	1	2
●	33960020	HEATER,CASSETTE (240)		1	1	2
●	34860030	HEATER,CASSETTE(120)	1			2
●	34907060	LEVER,CURSOR RETAINING	1	1	1	1
	34907070	PIN,CLAW CASSETTE	2	2	2	1
	34907141	GEAR 18,CASSETTE	1	1	1	1
	34907380	SPRING,CASSETTE	2	2	2	1
●	35327400	SWITCH,FEED	1	1	1	2
●	35907091	CURSOR,PAPER TRAILING EDGE	1	1	1	1
	35907132	PROJECTION,SIDE REGISTRATION DETECTION	1	1	1	1
●	35907171	MOUNT BASE,TRAILING EDGE CURSOR	1	1	1	1
●	35927420	SWITCH,SIZE	5	5	5	2
●	36027020	MOTOR,CASSETTE	1	1	1	2
●	36093040	PARTS MOTOR DRIVE PCB(SP)	1	1	1	2
	49028112	BUSHING 8,LOWER REG.ROLLER	1	1	1	2
	49628105	RECEIVER,MAGNET	2	2	2	2
	62207620	MAGNET,FEED SHIFT	2	2	2	2
●	65027360	SWITCH,EMPTY	1	1	1	2
	66260030	BASE RUBBER,ORTER	2	2	2	2
	67322230	BUSHING 8	1	1	1	2
	68802070	SPRING A,LIFT UP	1	1	1	1
	73210450	BUSH, 6	1	1	1	2
	76508130	SPRING BELT GUIDE ROLLER	1	1	1	1
	77906200	CASSETTE CATCHER	1	1	1	2
●	77906210	CASSETTE STOPPER	1	1	1	1
	M2105030	NYLON CLAMP 5N,NK-5N	1	1	1	2
	M2105710	MINIATURE CLAMP,UAMS-05-0	1	1	1	2
	M2607010	BINDING BAND,PLT1M	2	2	2	2

• Parts with "●" indicates the Service parts.